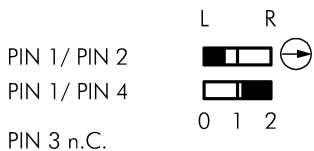
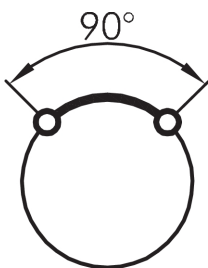
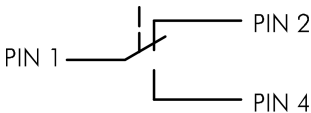
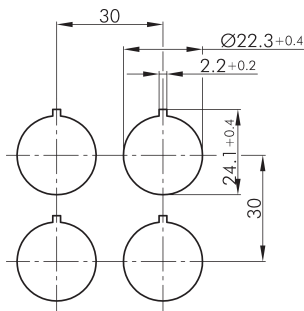
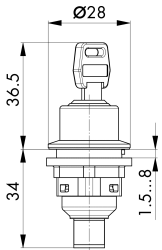




**Key-operated switch, maintained, with 4-pole M12 connector
SSSA180I_C008**

Description: with integrated 4-pole M12 connector, A coded including two keys other lock types on request



Category: Key switches (momentary/maintained)
 Series: SHORTRON® connect
 Panel cut-out: Ø 22.3 mm
 Mounting depth: 33.7 mm
 Protection class: II (protective insulation)
 Degree of protection: IP65 (in the front); IP65 / IP67 (on the rear with plugged-in M12 connector)
 Switching function: maintained action
 Travel: 2.3 mm (pushbutton)
 Illumination: no
 With labelling option: no
 Contact equipment: 1 NC + 1 NO
 Connection type: 4-pole M12 connector (integrated), A coded silver-coloured
 Front bezel acc. to EN60947-5-1, appendix K
 Positive opening: -25°C ... 70°C
 Operating temperature: 30,000 switching cycles
 Mechanical life: 30,000 switching cycles at rated load
 Electrical life: -40°C ... 80°C
 Storage temperature: round
 Shape: AgNi
 Contact material:

Legend
I= Switching position =>

**Spring return O= Key
removable position**